

THIS DRAWING IS UNPUBLISHED. RELEASED FOR PUBLICATION JAN ,2006.

© COPYRIGHT 2006 BY TYCO ELECTRONICS CORPORATION. ALL RIGHTS RESERVED.

LOC	DIST	REVISIONS					
E	B	P	LTR	DESCRIPTION	DATE	DWN	APVD
		C		ECR-05-017969	09JAN06	JMS	FWK

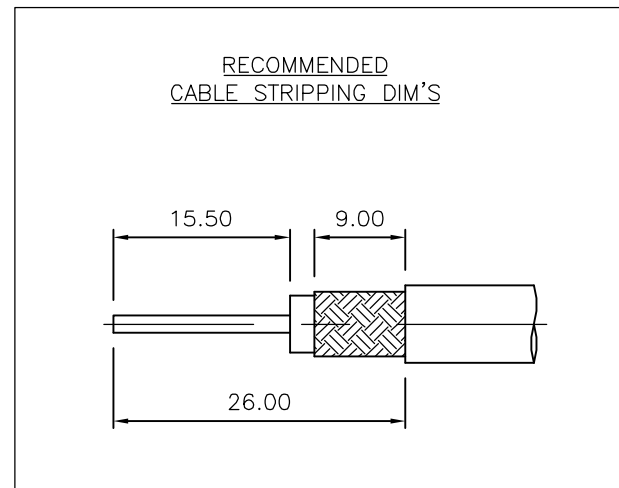
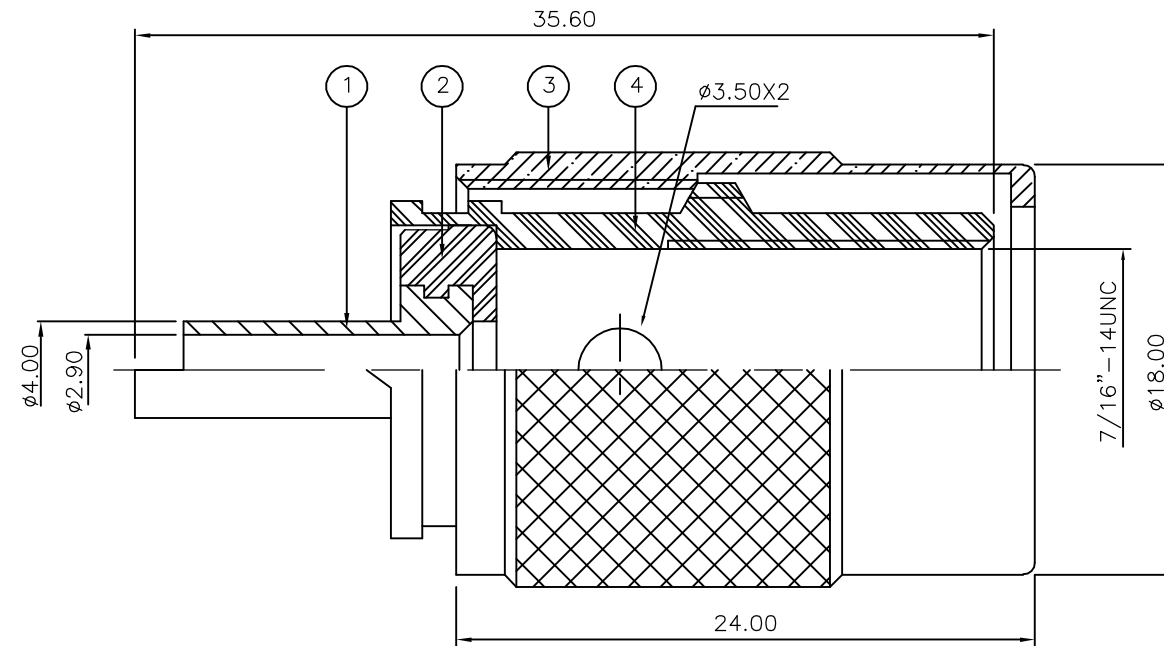
NOTES:

- ① PACK IN ACCORDANCE WITH AMP SPEC 107-3275
- ② 100 TRAY PACK IN ACCORDANCE WITH AMP SPEC 107-3275
- ③ Ag PLATING
- ④ ELECTRICAL CHARACTERISTICS

FREQUENCY RANGE:	DC - 500 MHz
NOMINAL IMPEDANCE:	Non Constant
INSULATION RESISTANCE:	5000 MOhm
WORKING VOLTAGE:	500 Volts RMS at Sea Level
DIELECTRIC WITHSTAND VOLTAGE:	1500 Volts RMS Max
CONTACT RESISTANCE:	
CENTRE CONTACT:	3.00 mOhm Max
OUTER CONTACT:	2.00 mOhm Max
- 5 MECHANICAL CHARACTERISTICS

COUPLING NUT RETENTION FORCE:	445N Min
CABLE RETENTION FORCE:	85N Min
DURABILITY:	500 Cycles Min
- 6 ENVIRONMENTAL CHARACTERISTICS

OPERATING TEMPERATURE:	-65 to +165 DegC
------------------------	------------------



QTY	QTY PER ASSY	MATERIAL	DESCRIPTION	ITEM
1	1	BRASS	BODY	4
1	1	BRASS	COUPLING NUT	3
1	1	PTFE	INSULATION	2
1	1	BRASS	CONTACT	1
6--0	1--0			

QUANTITY PER ASSY		PARTS LIST	
DWN J.SANDWELL 09JAN06		Tyco Electronics Corporation	
CHK S.PARLOW 09JAN06		Bideford EX39 4HE	
APVD F.WHEELER-KING 09JAN06		NAME	
PRODUCT SPEC		UHF TWIST-ON STRAIGHT PLUG	
APPLICATION SPEC		RG8A/U, 9B/U, 213/U, 214/U, URM67,	
411-3260		91, KX4, KX13, KX24	
SIZE A3	CAGE CODE 00779	DRAWING NO C-1337474	RESTRICTED TO
CUSTOMER DRAWING		SCALE NTS	SHEET 1 OF 1 REV C

THIS DRAWING IS A CONTROLLED DOCUMENT.	
DIMENSIONS: mm	TOLERANCES UNLESS OTHERWISE SPECIFIED:
	0 PLC ± -
	1 PLC ± -
	2 PLC ± -
	3 PLC ± -
	4 PLC ± -
	ANGLES ± -
MATERIAL SEE TABLE	FINISH -